

Corial 400L

RIE For 14" X 14" Substrates



Corial 400L



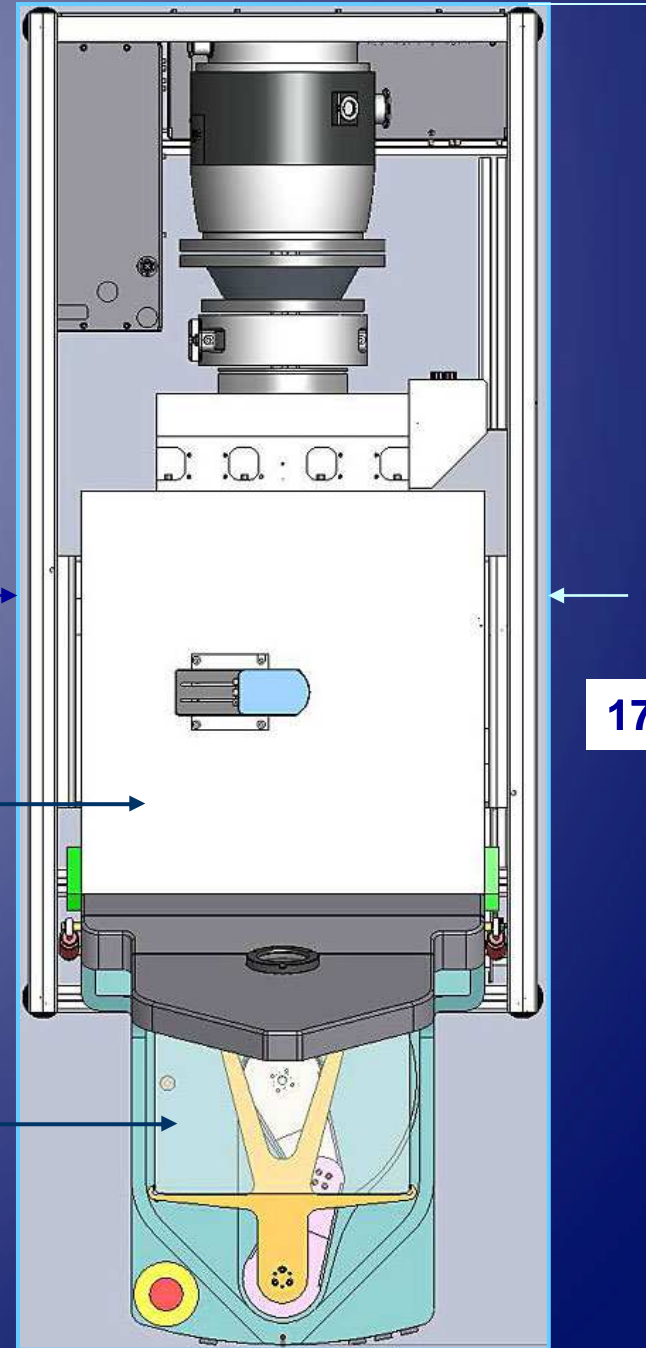
System Top View

75 cm

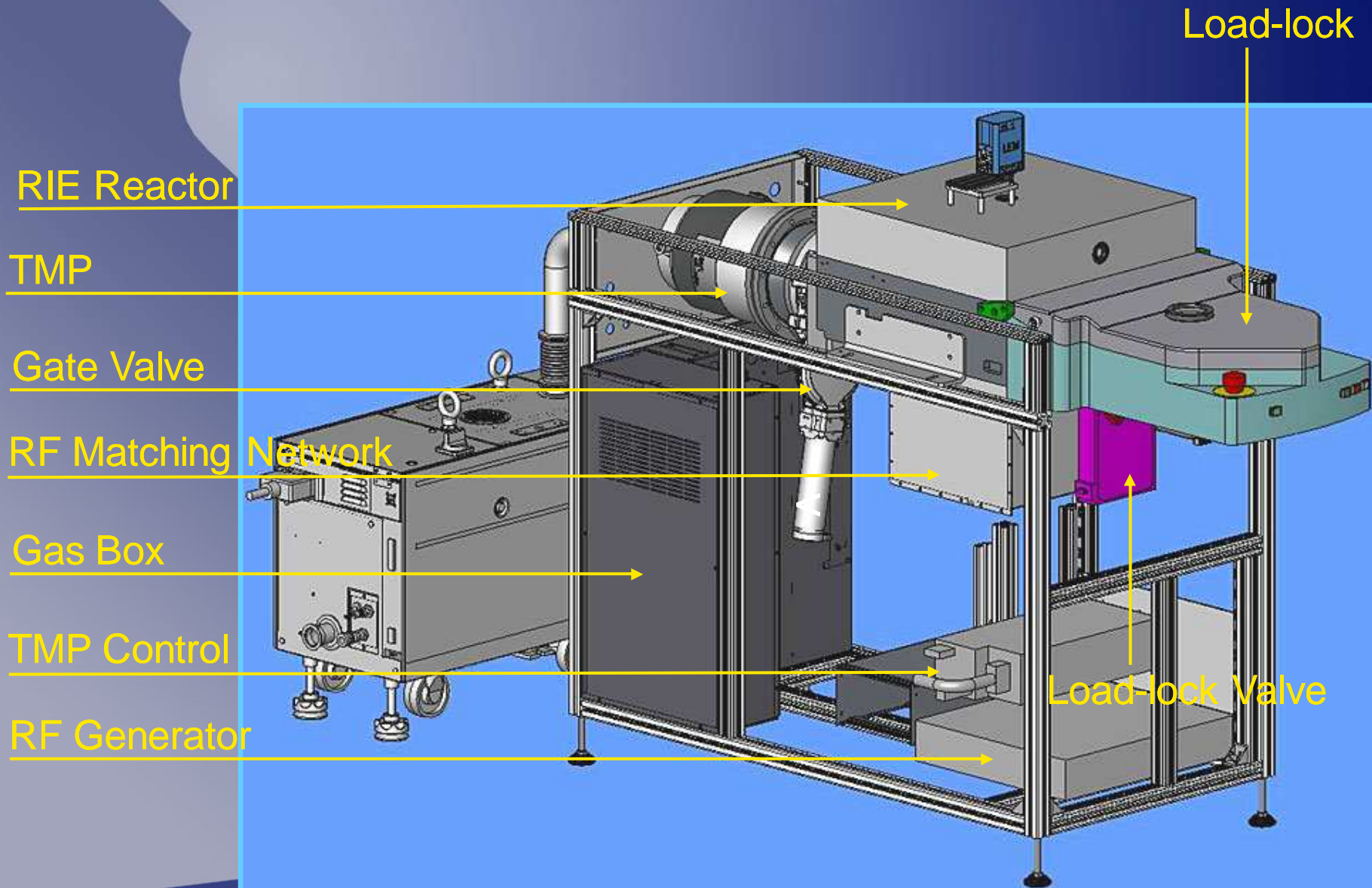
177 cm

2 KW RIE
Source with
16 X 16"
cathode

Load-lock for
14 X 14"
substrates
and vacuum
robot



Compact RIE System



Compact RIE System

Endpoint Detector

RIE Reactor

RF Matching Network

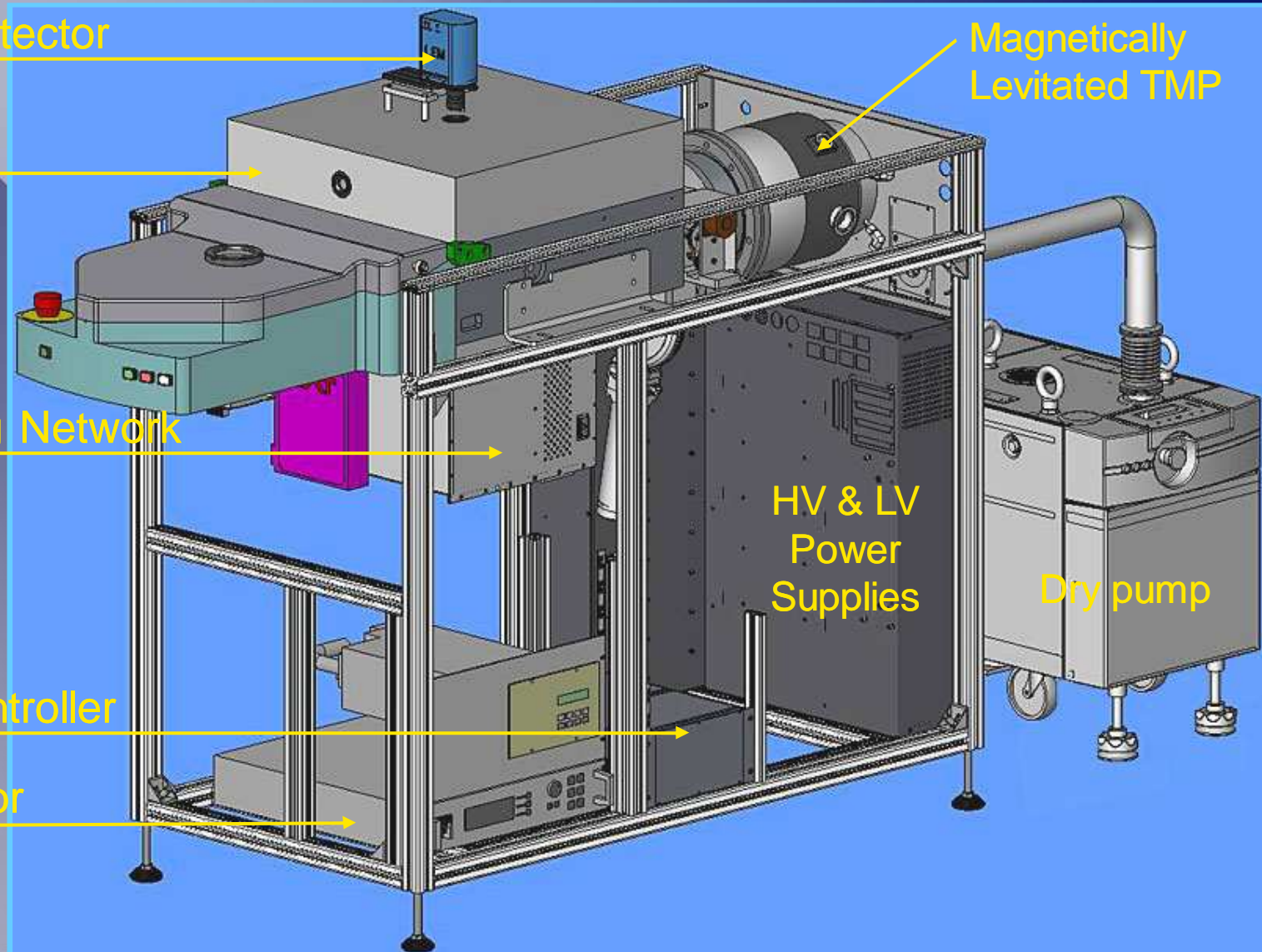
Process Controller

RF Generator

Magnetically Levitated TMP

HV & LV
Power
Supplies

Dry pump



High Rate Pumping System

